

## VIDEO SWITCH UNIT UN9/553

**Introduction**

The UN9/553 can be used in studio video mixing equipments to replace the Video Switch Unit UN9/524. It differs from the latter unit in having two line-up inputs instead of one. The circuit diagram of the UN9/553 is given in Fig. 1 on page 2.

The unit is constructed on a CH1/12A chassis without index pegs and with the back-plate modified to accommodate nine Musa plugs.

**General Specification***Inputs*

two from stabilising amplifier	1 V p-p
one from preview chain	1 V p-p
two line-up waveforms	1 V p-p

<i>Input Impedances</i>	75 ohms
-------------------------	---------

*Outputs*

two to main chain	0.5 V p-p
one to secondary chain	0.5 V p-p
one to preview chain	1 V p-p

*Output Impedances*

75 ohms

*Changeover*

lapped between the inputs from the stabilising amplifiers and the main and secondary chain outputs

*Isolation*

line-up inputs to either mixer chain	more than 72 dB at 4.43 MHz
all other hostile paths	more than 60 dB at 4.43 MHz

TES 9/68

See overleaf for Fig. 1.

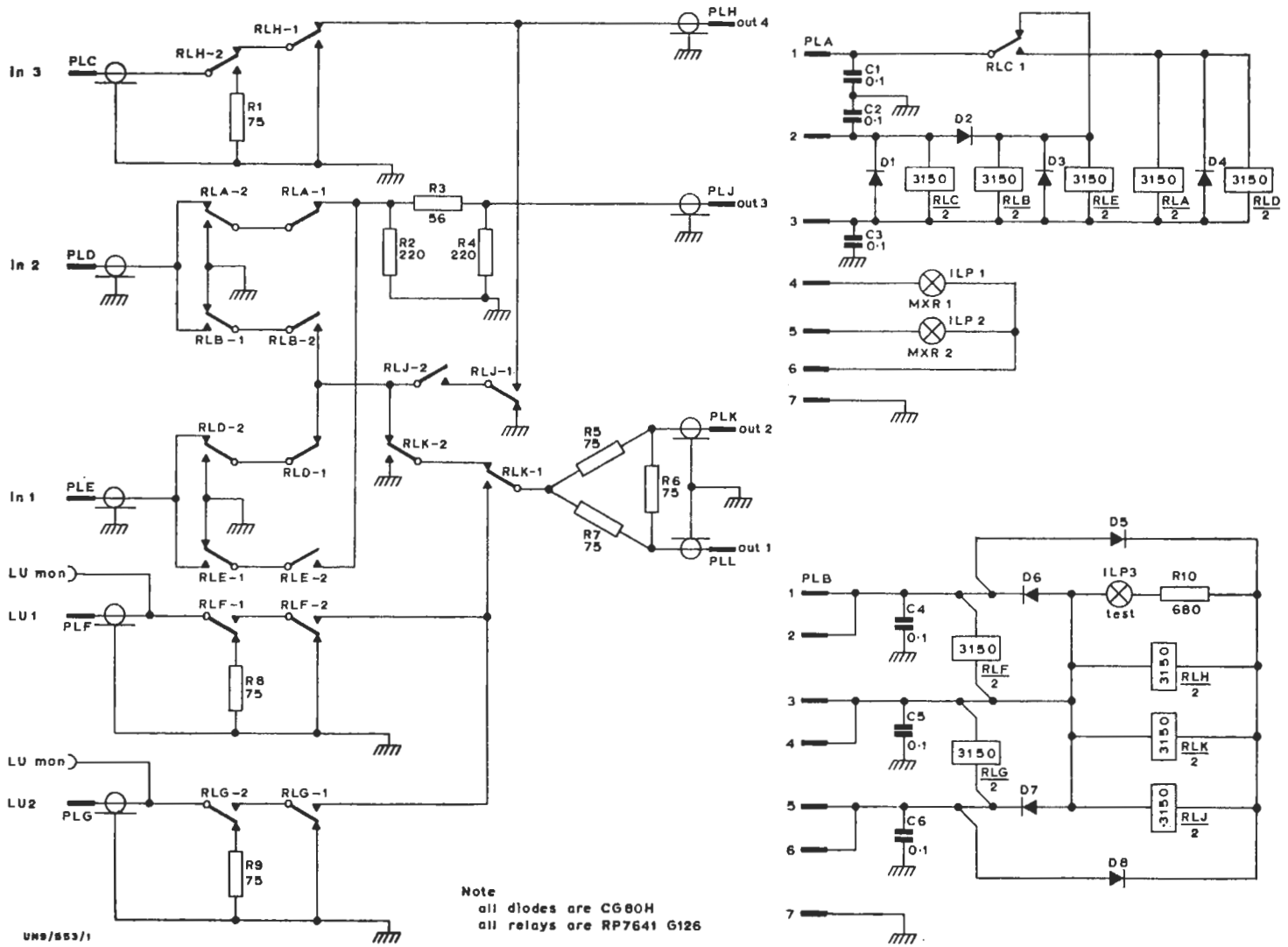


Fig. 1 Circuit of the UN9/553