

LINE BRIDGING UNIT UN1/23

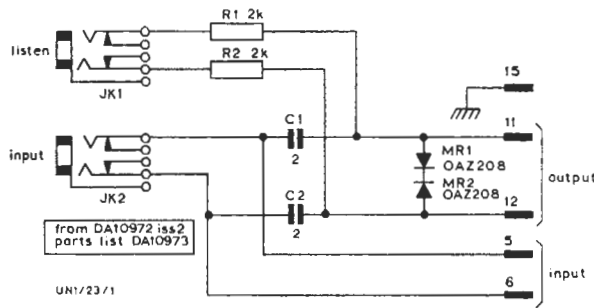


Fig. 1. Circuit of UN1/23

This unit forms part of constant volume speech amplifier AM1/6, and serves to connect the equipment across a telephone line in such a way as to block direct current so as not to interfere with any signalling or supervisory facilities in the telephone circuit.

Fig. 1 shows the circuit diagram. A high-impedance listening point with jack is provided and two diodes are placed back to back across the output terminals to prevent damage to subsequent components due to excessive voltages from ringing or dialling pulses.

The unit is on a chassis CH1/18C with index pegs in positions 1 and 15.

JMC/JHH 11/69