

## DISTRIBUTION AND CHANGE-OVER UNIT UN1/114

### General

The UN1/114 is a tone Distribution and Change-over unit. Its purpose is to distribute tone to a number of separate outlets and to effect a change-over from normal to standby tone input on receipt of a signal from an external unit<sup>1</sup>. An additional tone outlet can be interrupted for remote signalling purposes by application of 12 volts d.c. between PLB1 and earth. Front panel lamps indicate which input is in use.

The unit is constructed on a CH1/12A chassis and connected as shown in Fig. 1.

### Specification

**Inputs:** Two separate input sources each providing a supply of 36 volts d.c. and tone at +20 dB. 12 volts d.c. for relay operation as required. An earth return for relay operation via an external unit<sup>1</sup>.

**Outputs:** Six balanced outputs of tone at -11 dB into 600Ω.  
One tone output of +20 dB via a relay for remote signalling.

### References

- UN20/16 Detector Unit.

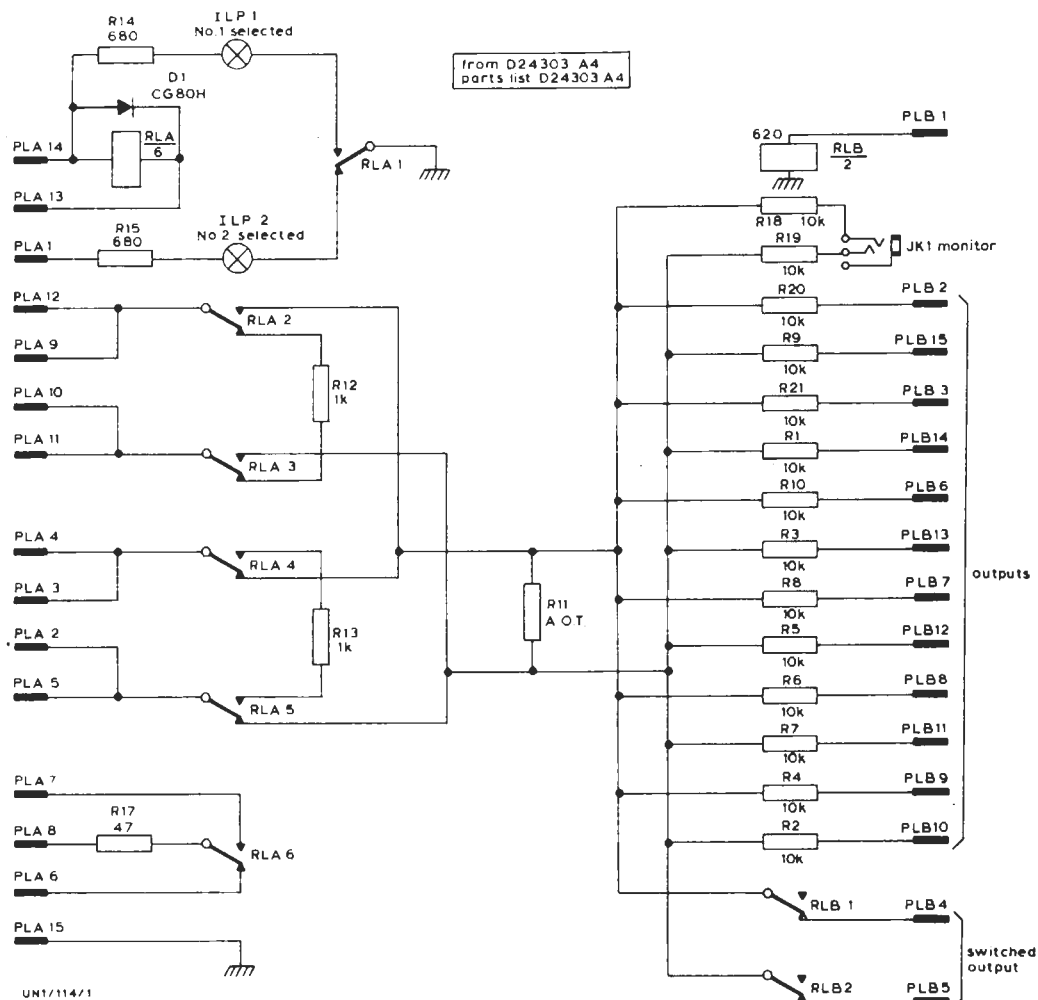


Fig. 1. Circuit of the UN1/114