

POWER SUPPLIER PS1/25

Introduction

The PS1/25 is a stabilised power supplier unit with two positive output supply lines and one negative line from which a variable and switched feed of bias may be taken.

The unit consists of two separate printed cards, one of which carries a PS2/22B and the other the two positive supply circuits. The cards are mounted on a CH1/12A chassis with index-peg positions 26 and 35. The bias-amplitude control and on-off switch are mounted on the front panel.

General Specification

Mains Input 230V to 250V, 50Hz

Outputs
 -12V (from the PS2/22B)
 +15V, 200mA
 +25V, 50mA

Ripple

+15V line less than 15mV p-p
 +25V line less than 15mV p-p

Working Temperature Range 0°C to 45°C

Circuit Description

The circuit is given in Fig.1. The 25-V supply is produced by a 10-V supplier in series with a 15-V supplier, both being stabilised. Transistors TR1 and TR2 are the series regulators with IC1 and IC2 as control circuits. Resistors R8 and R10 set the output voltages and these are adjusted during manufacturing tests; there are no operational controls.

Resistor R8 adjusts the negative bias from the PS2/22B; SA is the on-off switch.

Maintenance

Routine maintenance is not required.

Reference

1. Designs Department Specification No.4.55(69)

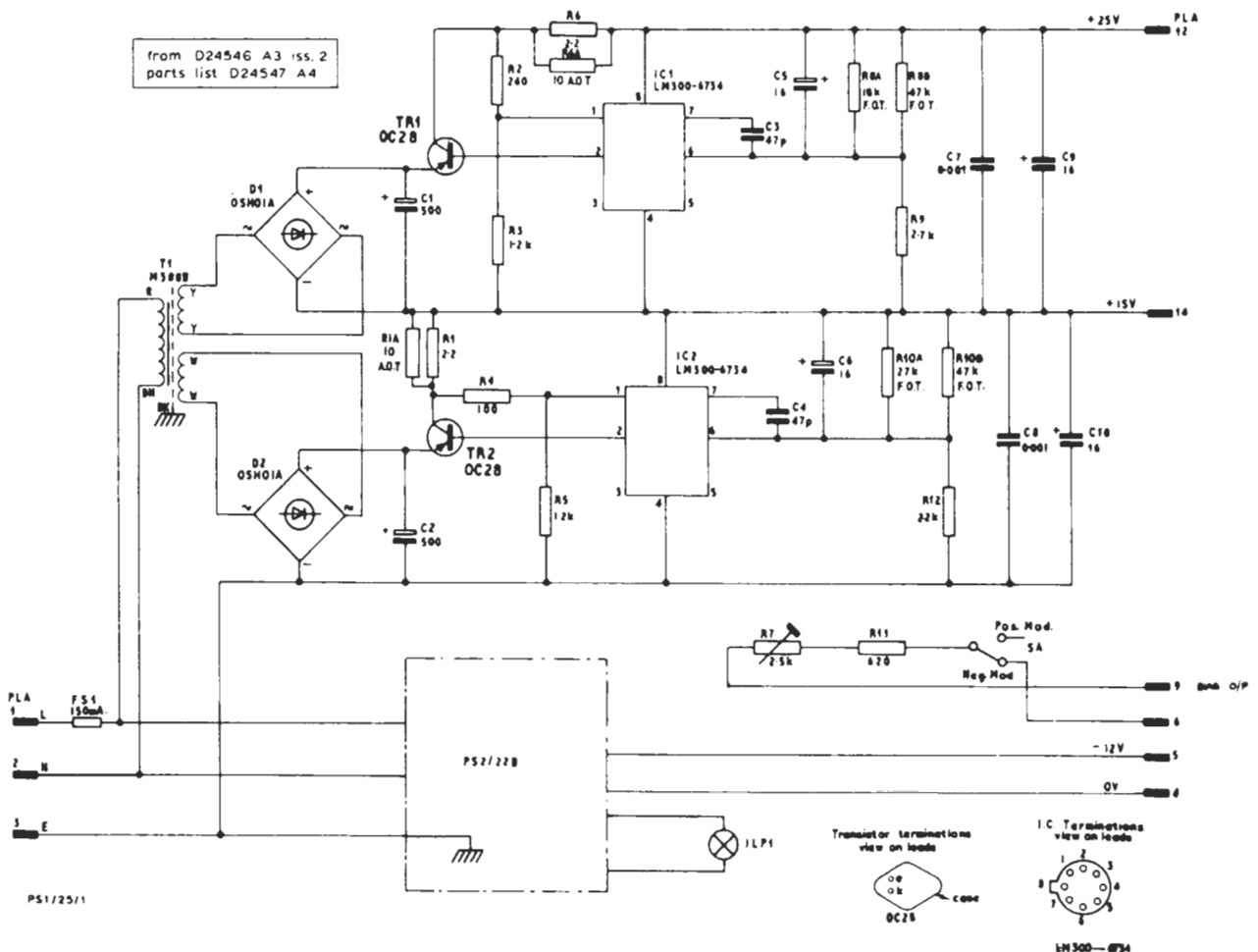


Fig. 1. Circuit of the Power Supplier PS1/25