

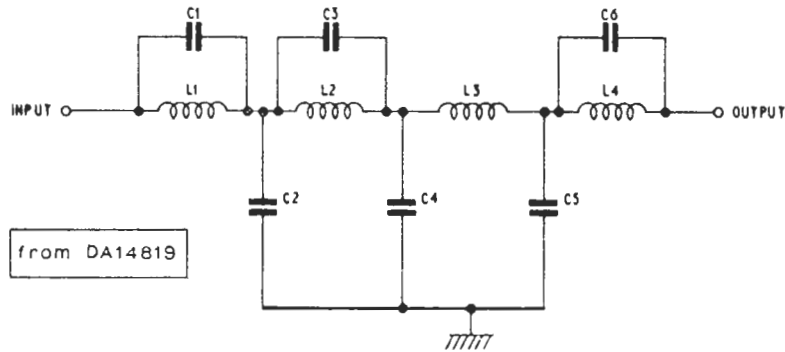
LOW PASS FILTER FL4/15

The FL4/15 is a low-pass filter for use in the output circuit of the MD1/503A Modulator when operating in Band 1. Its function is to remove unwanted modulation products. Component values for the various channels are given on the

circuit diagram, Fig. 1. The filter is built on a printed board and wired directly into circuit.

Reference

1. Designs Department Specification No. 4.18(65).



CHANNEL No.	C1	C2	C3	C4	C5	C6	L1	L2	L3	L4
1.S	34.1p	38.4p	17p	51.2p	51.2p	34.1p	0.11μ L/522	0.22μ L/514	0.36μ L/516	0.11μ L/522
1.V	31.5p	36.2p	15.8p	45.7p	45.7p	31.5p	0.1μ L/511	0.2μ L/524	0.33μ L/526	0.1μ L/511
2.S	29p	32.6p	14.5p	43.6p	43.6p	29p	0.09μ L/521	0.18μ L/524	0.31μ L/515	0.09μ L/521
2.V	27.4p	31p	13.7p	41.4p	41.4p	27.4p	0.09μ L/521	0.17μ L/513	0.29μ L/515	0.09μ L/521
3.S	26.6p	29.8p	13.3p	39.8p	39.8p	26.6p	0.08μ L/521	0.17μ L/513	0.29μ L/515	0.08μ L/521
3.V	24.9p	28p	12.5p	37.1p	37.1p	24.9p	0.08μ L/521	0.16μ L/513	0.26μ L/525	0.08μ L/521
4.S	24.3p	27.4p	12.2p	36.3p	36.5p	24.3p	0.08μ L/521	0.15μ L/523	0.26μ L/525	0.08μ L/521
4.V	23p	25.8p	11.5p	34.4p	34.4p	23p	0.07μ L/531	0.15μ L/523	0.24μ L/525	0.07μ L/531
5.S	22.4p	25.2p	11.2p	33.6p	33.6p	22.4p	0.07μ L/531	0.14μ L/523	0.24μ L/525	0.07μ L/531
5.V	21.2p	23.8p	10.6p	31.8p	31.8p	21.2p	0.07μ L/531	0.13μ L/512	0.22μ L/514	0.07μ L/531

FL4/15/1

Fig. 1. Circuit of the FL4/15