

FILTER FL4/14

The FL4/14 is a low-pass filter designed to reduce unwanted modulation products from combined sound and vision signals in Band I. It forms part of the MD1/502 Wide Band Sound and Vision Modulator and is mounted in a small copper box located at the back of the parent unit.

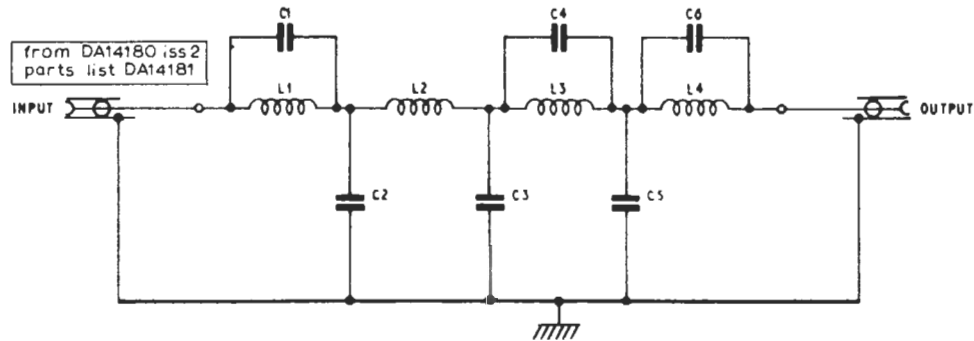
The component values depend on the channel

in use and are detailed on the circuit diagram, Fig. 1.

Connections to the filter are made via 75-ohm coaxial sockets.

Reference

1. Designs Department Specification No. 4.21(65).



CHANNEL No	C1	C2	C3	C4	C5	C6	L1	L2	L3	L4
1 S & V	31.5p	47.3p	43.7p	22.3p	31.8p	31.5p	0.1μ L/511	0.33μ L/526	0.17μ L/513	0.1μ L/511
2 S & V	27.4p	40.8p	38.6p	18.7p	28.2p	27.4p	0.09μ L/521	0.29μ L/515	0.15μ L/523	0.09μ L/521
3 S & V	24.9p	37.5p	36.1p	15.7p	26.6p	24.9p	0.08μ L/521	0.26μ L/525	0.14μ L/523	0.08μ L/521
4 S & V	23p	34.6p	33.8p	14.6p	24.2p	23p	0.07μ L/531	0.24μ L/525	0.13μ L/512	0.07μ L/531
5 S & V	21.2p	31.8p	30.6p	13.3p	22.4p	21.2p	0.07μ L/531	0.22μ L/514	0.12μ L/512	0.07μ L/531

for 625-line working
Vision IF 37.5m/c
Sound IF 31.5m/c

- C1 45p L1 0.14 μ
- C2 67.4p L2 0.47 μ
- C3 73.3p L3 0.35 μ
- C4 12.8p L4 0.14 μ
- C5 56.5p
- C6 45p

FL4/14/1

Fig. 1. Circuit of the FL4/14