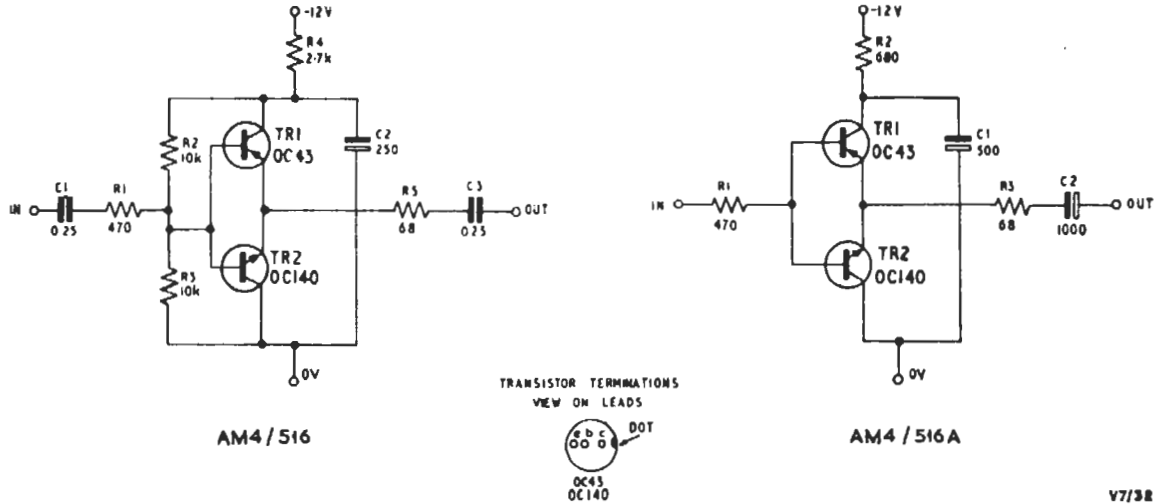


SECTION 16

OUTPUT PULSE AMPLIFIERS AM4/516 AND AM4/516A



V7/3B

Fig. 16.1 Circuits of the AM4/516

The AM4/516 and AM4/516A are capacitively-coupled and direct-coupled versions of a complementary emitter follower. They are constructed on printed wiring boards $4\frac{5}{8}$ inches by $1\frac{7}{32}$ inches. The circuits are given in Fig. 16.1.

Complementary emitter followers conduct throughout the entire cycle of the input waveform and therefore provide equal time constants for the leading and trailing edges of the output pulses.

MJR 10/66