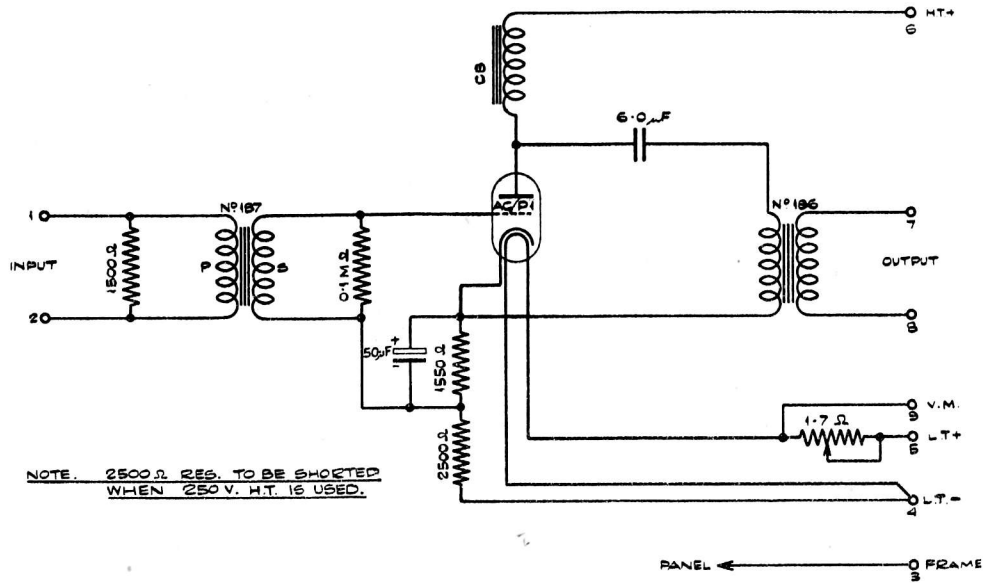


AMPLIFIER DCA/3



Drawing A.2947, Issue 2.

This amplifier is used in the output of Dramatic Control Units DC/2 and DC/4.

Circuit

It is a single-stage amplifier with automatic grid bias and has its input transformer-coupled to the output of the D.C. unit and its output choke-capacity-transformer coupled to the ' B ' input switching relays.

Impedances

Input impedance	(approx)	600 ohms
Output impedance	(approx)	320 ohms

Transformers

	Number	Impedance Ratio	Turns Ratio
Input	187	1/100	1/10
Output	186	8.05/1	2.835/1

AMPLIFIER DCA/3
 Technical Instructions
 Item 3(DCA/3). May, 1938

Supply Data

Stage	Valve	Automatic		Anode Current	Filaments	
		Grid Bias	Volts negative		mA (approx)	Volts
1	ACP 1	30		18	4	1
High Tension supply		300	volts or 250 volts rectified A.C.			
Low tension supply		6	volts (adjusted to 4 volts by a series resistance)			

600 Ohm Test Gain

Testing Conditions

Loss Pads Key at 30 db.

T.M.S. sending level	- 20 db.	
Gain at 1,000 c/s.	20 ± 2 db.	} Relative to gain at 1,000 c/s.
Gain at 50—5,000 c/s.	± 0.5 db.	
5,000—9,000 c/s.	± 1.0 db.	

Working Voltage Gain

Testing Conditions

Output loaded with 600 ohms and at a level of approximately -10 db.

Gain at 1,000 c/s.	20 ± 2 db.
--------------------------	------------