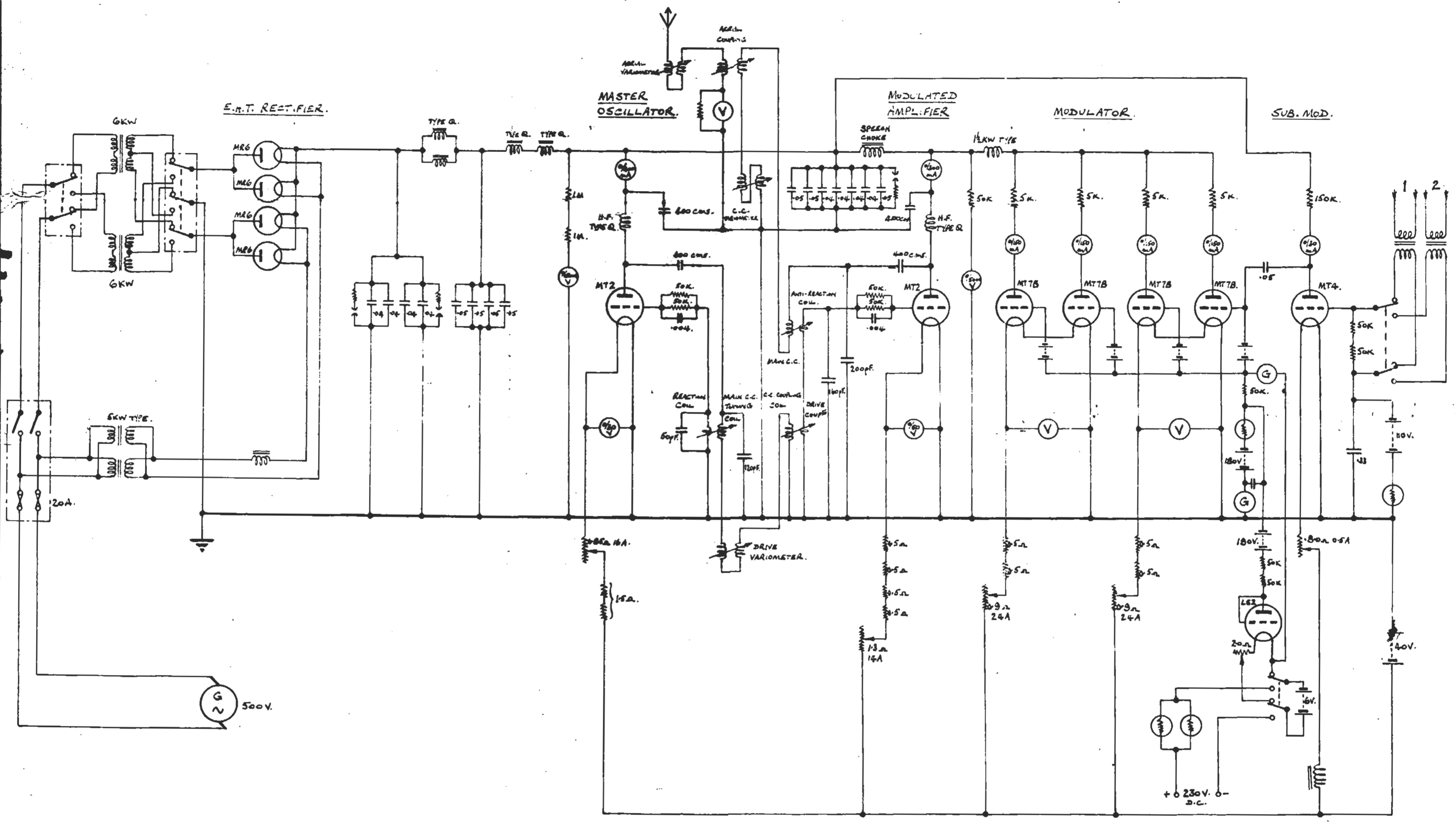


T-2127
P2499
 ORIGINAL '210' TRANSMITTER
 MARCONI HOUSE 1922 TO 1925. CIRCUIT.



NOTE:- THIS DRAWING IS A RE-DRAWN VERSION
 OF M.W.T. DRAWING No. TP 9966 N, DATED 29-10-69.
 OBTAINED FROM M.W.T. DECEMBER 1971.

This drawing is the property of the
 British Broadcasting Corporation and may not be
 reproduced or disclosed to a third party in any form
 without the written permission of the Corporation.

ORIGINAL '210' TRANSMITTER MARCONI HOUSE 1922-1925. CIRCUIT.

P2499

| | | | |
|-----|----|--------------|-------------|
| DRN | AM | BROOKMANS PK | TRANS. STN. |
| TEB | | | |
| CLD | | | |
| | | | |